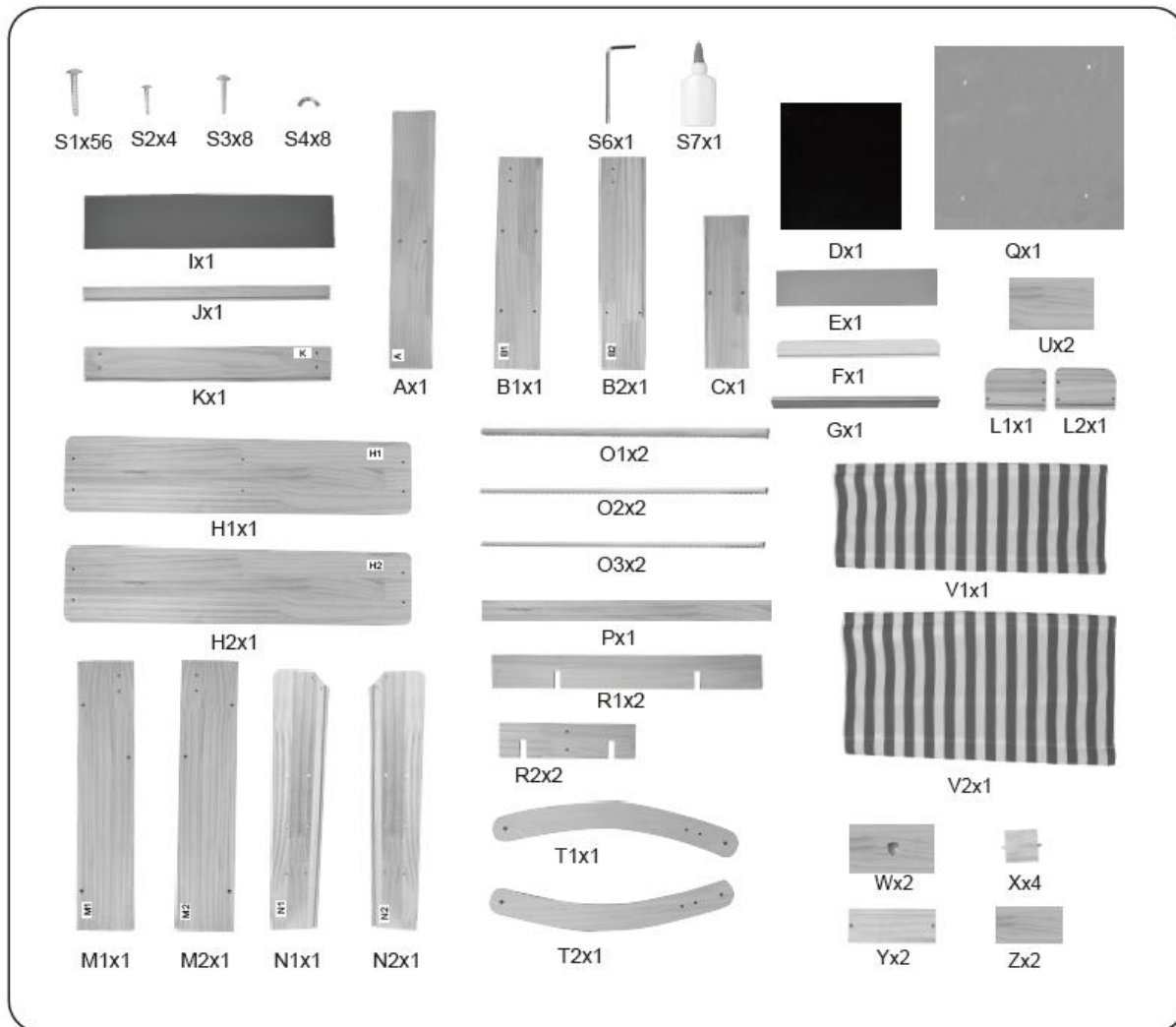


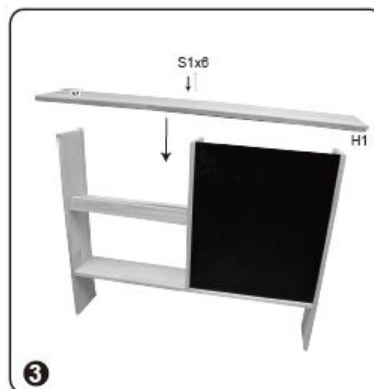
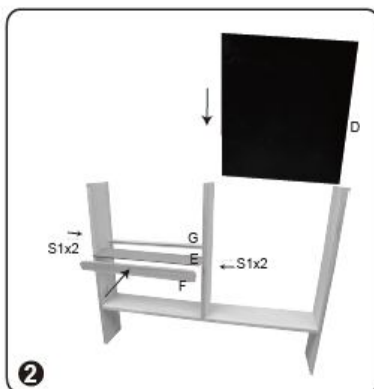
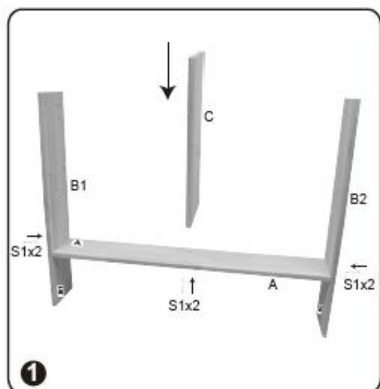
**Item: 107/246004** Sklep/Supermarket/Supermarkt

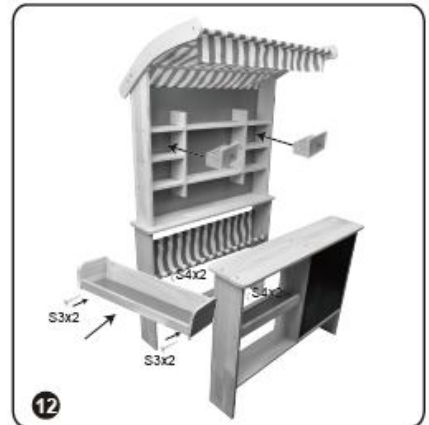
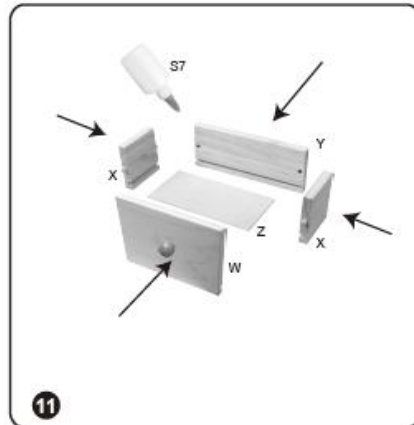
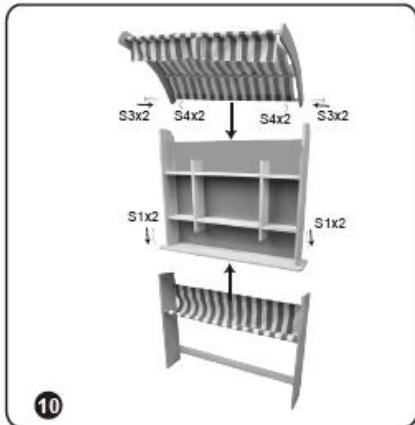
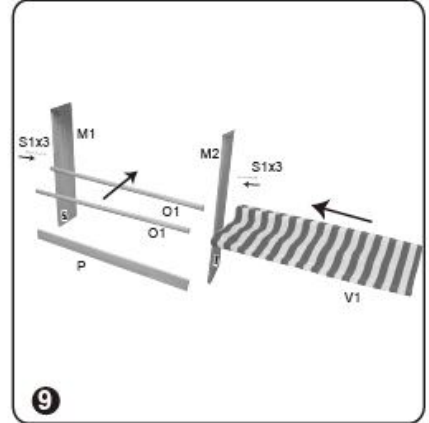
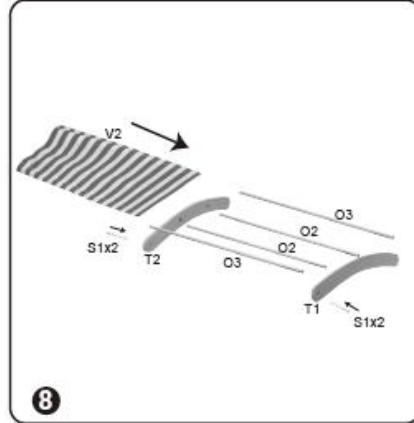
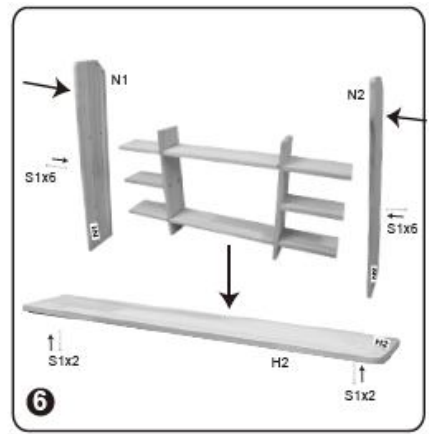
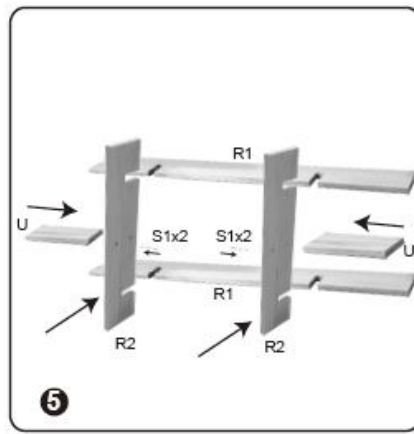
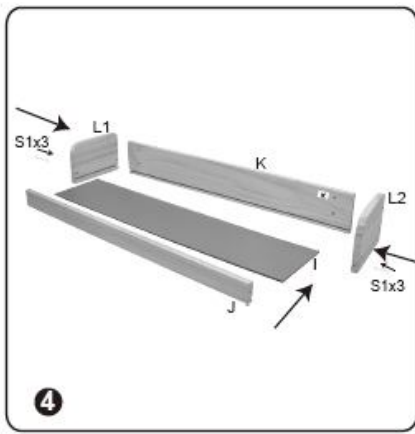
**Instrukcja Montażu Assemble Instruction Montage Instruktion**

**1.contents**



**2.how to assemble**





## WARNING:

CHOKING HAZARD. Small parts and sharp points, not suitable for children under 3 years.

## CAUTION:

ADULT ASSEMBLY REQUIRED. Hardware contains small screws with sharp points. Keep unassembled parts out of the reach of small children.

